



**0.5mm**  
(.020") pitch

# JMD CONNECTOR

Board-to-board connectors

Emboss Tape



## Features

- **Smooth connection**

Thanks to the bellows type contacts, mating is very smooth.

- **Distortion preventive construction**

Box-shaped plug housing has guide ribs on both ends, which prevents distortion.

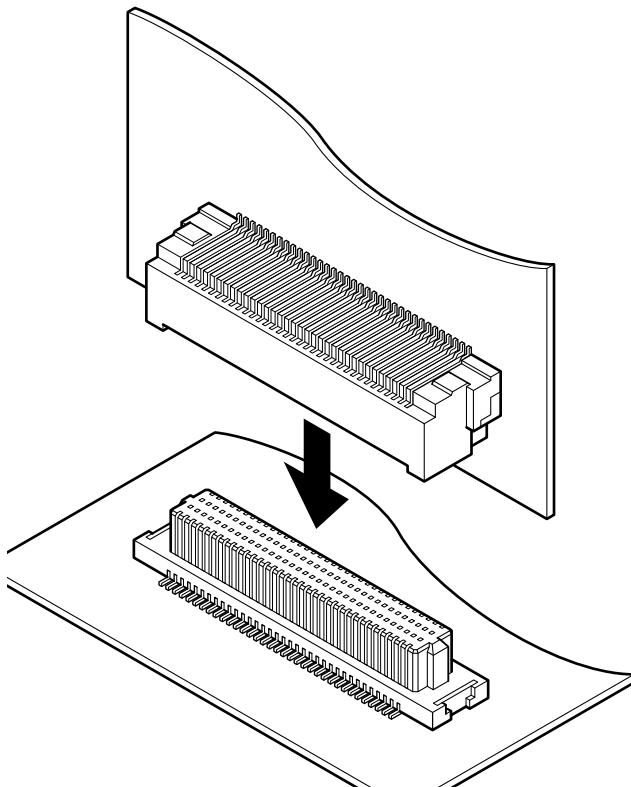
- **Wide range of circuits**

No. of circuits available are from 20 to 100, every 10 circuits.

- **Embossed taping for automatic mounting**

This connector is supplied in embossed tape packaging, for mounting by automatic placement machines.

www.DataSheet4U.com



## Specifications

- Current rating: 0.5A AC,DC
  - Voltage rating: 50V AC,DC
  - Temperature range: -25°C to +85°C  
(including temperature rise in applying an electrical current)
  - Contact resistance: Initial value/50m Ω max.  
After environmental testing/100m Ω max.
  - Insulation resistance: 50M Ω min.
  - Withstanding voltage: 100V AC/minute
- \*Contact JST for details

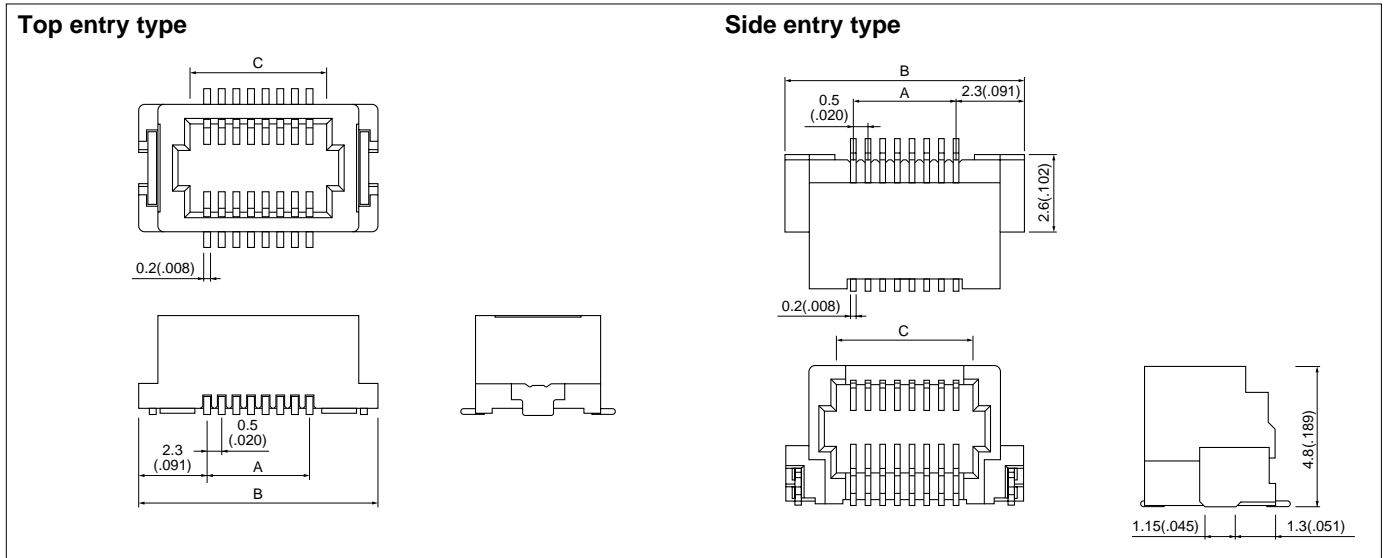
## Standards

- Recognized E60389
- 1 Certified LR20812

238 **JST**

www.DataSheet4U.com

## Plug



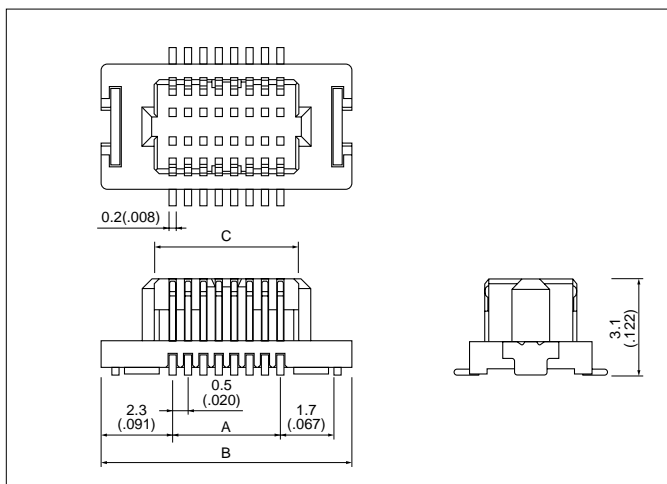
Circuits	Model No.			Side entry type	Dimensions mm(in.)			Q'ty / reel
	Top entry type				A	B	C	
	4.5mm (.117")	5.0mm (.197")	6.0mm (.236")					
20	<b>20P-JMDSS-G-1-TF</b>	-	-	<b>20PS-JMDSS-G-1-TF</b>	4.5(.177)	9.1( .358)	5.7( .224)	1,500
30	-	<b>30P5.0-JMDSS-G-1-TF</b>	-	-	7.0(.276)	11.6( .457)	8.2( .323)	1,500
40	<b>40P-JMDSS-G-1-TF</b>	<b>40P5.0-JMDSS-G-1-TF</b>	-	-	9.5(.374)	14.1( .555)	10.7( .421)	1,500
50	<b>50P-JMDSS-G-1-TF</b>	-	<b>50P6.0-JMDSS-G-1-TF</b>	<b>50PS-JMDSS-G-1-TF</b>	12.0(.472)	16.6( .654)	13.2( .520)	1,500
60	<b>60P-JMDSS-G-1-TF</b>	-	<b>60P6.0-JMDSS-G-1-TF</b>	<b>60PS-JMDSS-G-1-TF</b>	14.5(.571)	19.1( .752)	15.7( .618)	1,500
70	<b>70P-JMDSS-G-1-TF</b>	-	<b>70P6.0-JMDSS-G-1-TF</b>	<b>70PS-JMDSS-G-1-TF</b>	17.0(.669)	21.6( .850)	18.2( .717)	1,500
80	<b>80P-JMDSS-G-1-TF</b>	-	-	<b>80PS-JMDSS-G-1-TF</b>	19.5(.768)	24.1( .949)	20.7( .815)	1,500
100	<b>100P-JMDSS-G-1-TF</b>	-	-	<b>100PS-JMDSS-G-1-TF</b>	24.5(.965)	29.1(1.146)	25.7(1.012)	1,500

### Material and Finish

Contact: Phosphor bronze, gold-plated  
 Housing: Polyamide, UL94V-0  
 Solder tab: Brass, copper-undercoated, tin/lead-plated

Note: The products listed above are supplied on embossed-tape.

## Receptacle



Circuits	Model No.	Dimensions mm(in.)			Q'ty / reel
		A	B	C	
20	<b>20R-JMDSS-G-1-TF</b>	4.5(.177)	9.1( .358)	5.7( .224)	1,500
30	<b>30R-JMDSS-G-1-TF</b>	7.0(.276)	11.6( .457)	8.2( .323)	1,500
40	<b>40R-JMDSS-G-1-TF</b>	9.5(.374)	14.1( .555)	10.7( .421)	1,500
50	<b>50R-JMDSS-G-1-TF</b>	12.0(.472)	16.6( .654)	13.2( .520)	1,500
60	<b>60R-JMDSS-G-1-TF</b>	14.5(.571)	19.1( .752)	15.7( .618)	1,500
70	<b>70R-JMDSS-G-1-TF</b>	17.0(.669)	21.6( .850)	18.2( .718)	1,500
80	<b>80R-JMDSS-G-1-TF</b>	19.5(.768)	24.1( .949)	20.7( .815)	1,500
100	<b>100R-JMDSS-G-1-TF</b>	24.5(.965)	29.1(1.146)	25.7(1.012)	1,500

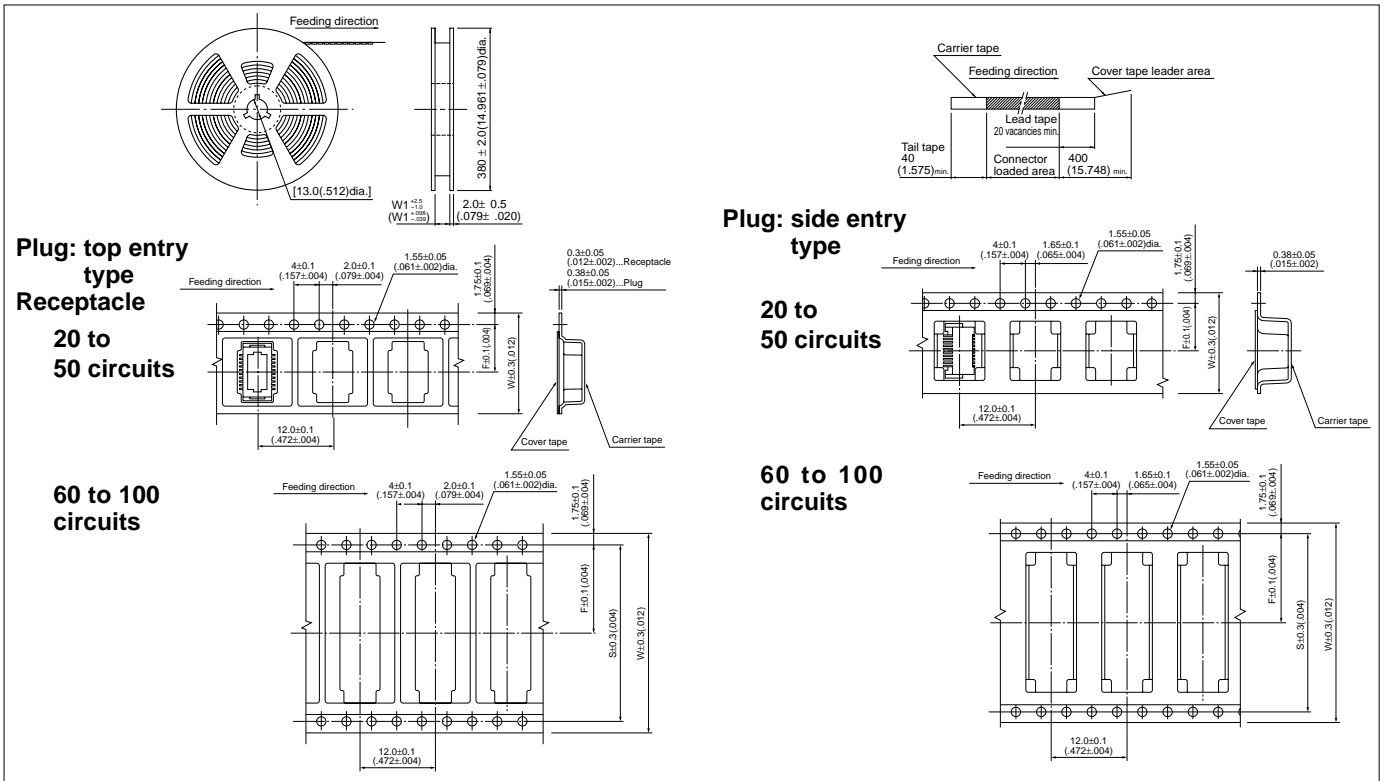
### Material and Finish

Contact: Phosphor bronze, gold-plated  
 Housing: Polyamide, UL94V-0  
 Solder tab: Brass, copper-undercoated, tin/lead-plated

Note: The products listed above are supplied on embossed-tape.

# JMD CONNECTOR

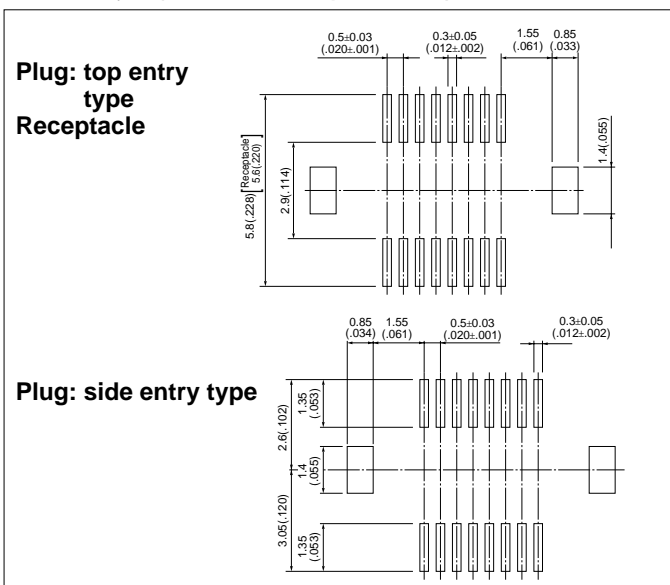
## Taping specifications



Circuits	Dimensions mm(in.)				Q'ty / reel
	F	S	W	W1	
20	7.5(.295)	—	16.0(.630)	17.5(.689)	1,500
30	11.5(.453)	—	24.0(.945)	25.5(1.004)	1,500
40	11.5(.453)	—	24.0(.945)	25.5(1.004)	1,500
50	11.5(.453)	—	24.0(.945)	25.5(1.004)	1,500
60	14.2(.559)	28.4(1.118)	32.0(1.260)	32.0(1.260)	1,500
70	14.2(.559)	28.4(1.118)	32.0(1.260)	32.0(1.260)	1,500
80	20.2(.795)	40.4(1.591)	44.0(1.732)	44.0(1.732)	1,500
100	20.2(.795)	40.4(1.591)	44.0(1.732)	44.0(1.732)	1,500

Note: 1. Specifications conform to JIS C 0806. The tape width, connector loading recess square hole dimensions, etc. are determined by the number of circuits and external shape of the connector to be loaded.  
2. Specifications are subject to change without prior notice.

## PC board layout (viewed from component side)



## Assembly layout

